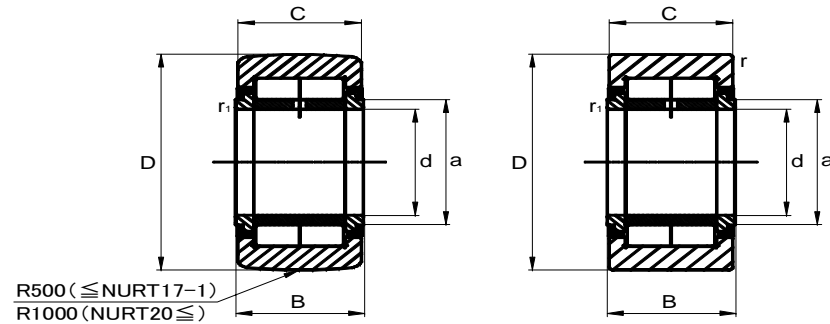


Heavy Duty Type Roller Followers



NURT TYPE



NURT...R

NURT...X

| Shaft diameter d | Designation | | Dimensions (mm) | | | | | | Basic dynamic load rating | Basic static load rating | Track load capacity | | Limiting speed | Weight |
|---------------------|--------------------|------------------------|-----------------|----|----|------|--------|---------|---------------------------|--------------------------|---------------------|------------------------|----------------|--------|
| | Crowned outer ring | Cylindrical outer ring | D | B | C | a | r min. | r1 min. | Cr N | Cor N | Crowned outer ring | Cylindrical outer ring | rpm | g |
| 15 | NURT 15 R | NURT 15 X | 35 | 19 | 18 | 20 | 0.6 | 0.3 | 23400 | 27200 | 3140 | 11200 | 5200 | 100 |
| 15 | NURT 15-1 R | NURT 15-1 X | 42 | 19 | 18 | 20 | 0.6 | 0.3 | 23400 | 27200 | 3930 | 13900 | 5200 | 160 |
| 17 | NURT 17 R | NURT 17 X | 40 | 21 | 20 | 22 | 1 | 0.5 | 25200 | 30900 | 3720 | 14400 | 4700 | 147 |
| 17 | NURT 17-1 R | NURT 17-1 X | 47 | 21 | 20 | 22 | 1 | 0.5 | 25200 | 30900 | 4550 | 17300 | 4700 | 222 |
| 20 | NURT 20 R | NURT 20 X | 47 | 25 | 24 | 27 | 1 | 0.5 | 38900 | 48900 | 7150 | 21000 | 3800 | 245 |
| 20 | NURT 20-1 R | NURT 20-1 X | 52 | 25 | 24 | 27 | 1 | 0.5 | 38900 | 48900 | 8230 | 23200 | 3800 | 321 |
| 25 | NURT 25 R | NURT 25 X | 52 | 25 | 24 | 31 | 1 | 0.5 | 43000 | 58100 | 8230 | 23200 | 3300 | 281 |
| 25 | NURT 25-1 R | NURT 25-1 X | 62 | 25 | 24 | 31 | 1 | 0.5 | 43000 | 58100 | 10500 | 27400 | 3300 | 450 |
| 30 | NURT 30 R | NURT 30 X | 62 | 29 | 28 | 38 | 1 | 0.5 | 57500 | 74300 | 10500 | 32000 | 2800 | 466 |
| 30 | NURT 30-1 R | NURT 30-1 X | 72 | 29 | 28 | 38 | 1 | 0.5 | 57500 | 74300 | 12900 | 37200 | 2800 | 697 |
| 35 | NURT 35 R | NURT 35 X | 72 | 29 | 28 | 44 | 1.1 | 0.6 | 63300 | 87500 | 12900 | 37200 | 2300 | 630 |
| 35 | NURT 35-1 R | NURT 35-1 X | 80 | 29 | 28 | 44 | 1.1 | 0.6 | 63300 | 87500 | 14900 | 41300 | 2300 | 840 |
| 40 | NURT 40 R | NURT 40 X | 80 | 32 | 30 | 50.5 | 1.1 | 0.6 | 86900 | 124600 | 14900 | 44300 | 1900 | 817 |
| 40 | NURT 40-1 R | NURT 40-1 X | 90 | 32 | 30 | 50.5 | 1.1 | 0.6 | 86900 | 124600 | 17300 | 49800 | 1900 | 1130 |
| 45 | NURT 45 R | NURT 45 X | 85 | 32 | 30 | 55.2 | 1.1 | 0.6 | 91700 | 137100 | 16100 | 47100 | 1700 | 883 |
| 45 | NURT 45-1 R | NURT 45-1 X | 100 | 32 | 30 | 55.2 | 1.1 | 0.6 | 91700 | 137100 | 19840 | 55400 | 1700 | 1400 |
| 50 | NURT 50 R | NURT 50 X | 90 | 32 | 30 | 59.8 | 1.1 | 0.6 | 96300 | 149700 | 17300 | 49800 | 1500 | 950 |
| 50 | NURT 50-1 R | NURT 50-1 X | 110 | 32 | 30 | 59.8 | 1.1 | 0.6 | 96300 | 149700 | 22530 | 60900 | 1500 | 1690 |