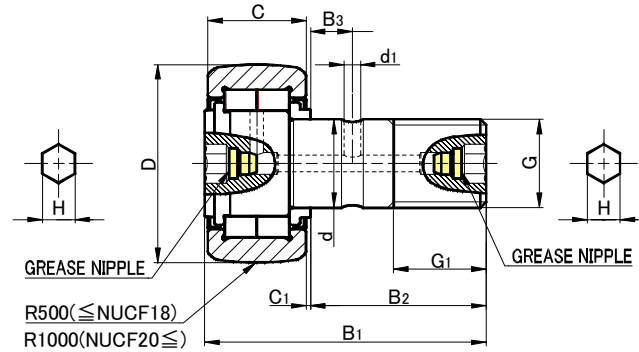


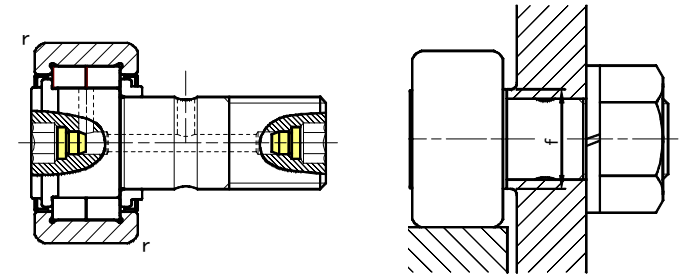
Heavy Duty Type Cam Followers (重工型凸轮从动轴承)



NUCF TYPE



NUCF...RAB



NUCF...AB

Stud diameter	Designation				Dimensions (mm)											Max tightening torque	Basic dynamic load rating	Basic static load rating	Track load capacity		Limiting speed	Weight	
					D	C	Thread G	G ₁	B ₁	B ₂	B ₃	C ₁	d ₁	H	r min.				f	N.m			C _r N
16	NUCF 16	RAB	NUCF 16	AB	35	18	M16x1.5	17	52	32.5	7.8	0.8	3	6	0.6	20	58	23400	27200	3140	11200	5200	167
18	NUCF 18	RAB	NUCF 18	AB	40	20	M18x1.5	19	58	36.5	8	0.8	3	6	1	22	87	25200	30900	3720	14400	4700	248
20	NUCF 20	RAB	NUCF 20	AB	52	24	M20x1.5	21	66	40.5	9	0.8	4	8	1	31	120	43000	58100	8230	23200	3300	461
20	NUCF 20-1	RAB	NUCF 20-1	AB	47	24	M20x1.5	21	66	40.5	9	0.8	4	8	1	27	120	38900	48900	7150	21000	3800	390
24	NUCF 24	RAB	NUCF 24	AB	62	28	M24x1.5	25	80	49.5	11	1.3	4	8	1	38	220	57600	74300	10500	32000	2800	789
24	NUCF 24-1	RAB	NUCF 24-1	AB	72	28	M24x1.5	25	80	49.5	11	1.3	4	8	1.1	44	220	63300	87500	12900	37200	2300	1020
30	NUCF 30	RAB	NUCF 30	AB	80	35	M30x1.5	32	100	63	15	1	4	8	1.1	47	450	94800	135700	14900	52600	2100	1630
30	NUCF 30-2	RAB	NUCF 30-2	AB	90	35	M30x1.5	32	100	63	15	1	4	8	1.1	47	450	94800	135700	17300	59300	2100	1990

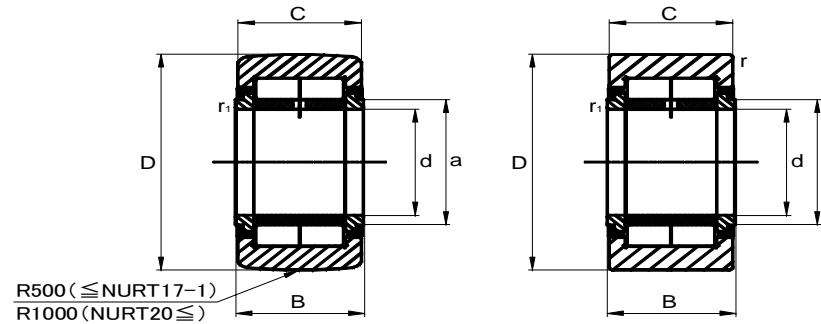
JNS

JNS CO., LTD.
NOSE SEIKO CO., LTD.

Heavy Duty Type Roller Followers (重工型滚子从动轴承)



NURT TYPE



NURT...R

NURT...X

Shaft diameter d	Designation		Dimensions (mm)						Basic dynamic load rating	Basic static load rating	Track load capacity		Limiting speed	Weight
	Crowned outer ring	Cylindrical outer ring	D	B	C	a	r min.	r1 min.	Cr N	Cor N	Crowned outer ring	Cylindrical outer ring	rpm	g
15	NURT 15 R	NURT 15 X	35	19	18	20	0.6	0.3	23400	27200	3140	11200	5200	100
15	NURT 15-1 R	NURT 15-1 X	42	19	18	20	0.6	0.3	23400	27200	3930	13900	5200	160
17	NURT 17 R	NURT 17 X	40	21	20	22	1	0.5	25200	30900	3720	14400	4700	147
17	NURT 17-1 R	NURT 17-1 X	47	21	20	22	1	0.5	25200	30900	4550	17300	4700	222
20	NURT 20 R	NURT 20 X	47	25	24	27	1	0.5	38900	48900	7150	21000	3800	245
20	NURT 20-1 R	NURT 20-1 X	52	25	24	27	1	0.5	38900	48900	8230	23200	3800	321
25	NURT 25 R	NURT 25 X	52	25	24	31	1	0.5	43000	58100	8230	23200	3300	281
25	NURT 25-1 R	NURT 25-1 X	62	25	24	31	1	0.5	43000	58100	10500	27400	3300	450
30	NURT 30 R	NURT 30 X	62	29	28	38	1	0.5	57500	74300	10500	32000	2800	466
30	NURT 30-1 R	NURT 30-1 X	72	29	28	38	1	0.5	57500	74300	12900	37200	2800	697
35	NURT 35 R	NURT 35 X	72	29	28	44	1.1	0.6	63300	87500	12900	37200	2300	630
35	NURT 35-1 R	NURT 35-1 X	80	29	28	44	1.1	0.6	63300	87500	14900	41300	2300	840
40	NURT 40 R	NURT 40 X	80	32	30	50.5	1.1	0.6	86900	124600	14900	44300	1900	817
40	NURT 40-1 R	NURT 40-1 X	90	32	30	50.5	1.1	0.6	86900	124600	17300	49800	1900	1130
45	NURT 45 R	NURT 45 X	85	32	30	55.2	1.1	0.6	91700	137100	16100	47100	1700	883
45	NURT 45-1 R	NURT 45-1 X	100	32	30	55.2	1.1	0.6	91700	137100	19840	55400	1700	1400
50	NURT 50 R	NURT 50 X	90	32	30	59.8	1.1	0.6	96300	149700	17300	49800	1500	950
50	NURT 50-1 R	NURT 50-1 X	110	32	30	59.8	1.1	0.6	96300	149700	22530	60900	1500	1690