

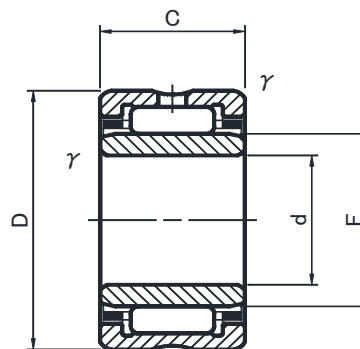
# MACHINED RING NEEDLE ROLLER BEARINGS STAINLESS STEEL

WITH INNER RING



NA49..M, NKI..M TYPE

**STAINLESS  
STEEL !!**



NA49...M, NKI...M

Shaft Diameter (mm)	Designation		Dimensions (mm)				Standard mounting dimensions (mm)			Basic dynamic load rating	Basic static load rating	Limiting speed	Weight
			D	C	1) $\gamma$ s min	F	da		Da MAX				
d	NA49	NKI	D	C	1) $\gamma$ s min	F	MIN	MAX	Da MAX	Cr N	Cor N	2) rpm	g
5	—	NKI 5/12M	15	12	0.3	8	7	7.7	13	4000	3700	32000	11.9
5	—	NKI 5/16M	15	16	0.3	8	7	7.7	13	5600	5800	32000	16.7
6	NA 496M	—	15	10	0.15	8	7.2	7.7	13.8	3100	2700	32000	9.1
6	—	NKI 6/12M	16	12	0.3	9	8	8.7	14	4400	4200	30000	13
6	—	NKI 6/16M	16	16	0.3	9	8	8.7	14	6000	6500	30000	17.5
7	NA 497M	—	17	10	0.15	9	8.2	8.7	15.8	3600	2800	30000	11.2
7	—	NKI 7/12M	17	12	0.3	10	9	9.7	15	4700	4800	28000	14.3
7	—	NKI 7/16M	17	16	0.3	10	9	9.7	15	6500	7300	28000	19.2
8	NA 498M	—	19	11	0.2	10	9.2	9.7	17.4	4900	4000	28000	15
9	—	NKI 9/12M	19	12	0.3	12	11	11.5	17	5200	5800	26000	16.7
9	—	NKI 9/16M	19	16	0.3	12	11	11.5	17	7300	8900	26000	22.5
9	NA 499M	—	20	11	0.3	12	11	11.5	18	5200	5000	26000	16.7
10	NA 4900M	—	22	13	0.3	14	12	13	20	7300	8000	24000	24
10	—	NKI 10/16M	22	16	0.3	14	12	13	20	9400	10900	24000	30
10	—	NKI 10/20M	22	20	0.3	14	12	13	20	11800	14800	24000	38
12	NA 4901M	—	24	13	0.3	16	14	15	22	7700	8800	23000	26.5
12	—	NKI 12/16M	24	16	0.3	16	14	15	22	9800	12000	23000	33.5
12	—	NKI 12/20M	24	20	0.3	16	14	15	22	12400	16300	23000	42.5
15	—	NKI 15/16M	27	16	0.3	19	17	18	25	11200	14900	21000	39.5
15	—	NKI 15/20M	27	20	0.3	19	17	18	25	14100	20200	21000	50
15	NA 4902M	—	28	13	0.3	20	17	19	26	8700	11000	20000	35
17	NA 4903M	—	30	13	0.3	22	19	21	28	9400	12400	18000	39
20	NA 4904M	—	37	17	0.3	25	22	24	35	16800	20000	16000	78.5
25	NA 4905M	—	42	17	0.3	30	27	29	40	18900	24500	13000	92.5

1) Smallest permissible chamfer dimension.

2) Suitable for oil lubrication. In case of grease lubrication, up to 60% of this value.

• NKI type of 8mm or less bore diameter (d) is without oil holes.

Oil hole on these small sizes is also available on request.



JNS CO., LTD.  
NOSE SEIKO CO., LTD.

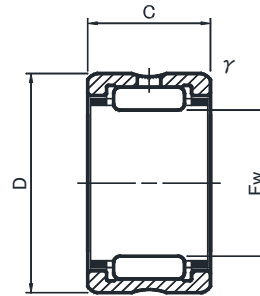
# MACHINED RING NEEDLE ROLLER BEARINGS STAINLESS STEEL

WITHOUT INNER RING



RNA..49M, NK..M TYPE

**STAINLESS  
STEEL !!**



RNA49...M,NK...M

Shaft Diameter (mm)	Designation		Dimensions (mm)			Standard mounting dimensions	Basic dynamic load rating	Basic static load rating	Limiting speed	Weight
	Fw	RNA 49	NK	D	C					
8	RNA 496M	—	15	10	0.15	13.8	3100	2700	32000	7.3
8	—	NK 8/12M	15	12	0.3	13	4000	3700	32000	9
8	—	NK 8/16M	15	16	0.3	13	5600	5800	32000	13
9	—	NK 9/12M	16	12	0.3	14	4400	4200	30000	10
9	—	NK 9/16M	16	16	0.3	14	6000	6500	30000	13.2
9	RNA 497M	—	17	10	0.15	15.8	3600	2800	30000	9.3
10	—	NK 10/12M	17	12	0.3	15	4700	4800	28000	10.7
10	—	NK 10/16M	17	16	0.3	15	6500	7300	28000	14.3
10	RNA 498M	—	19	11	0.2	17.4	4900	4000	28000	12.6
12	—	NK 12/12M	19	12	0.3	17	5200	5800	26000	12.2
12	—	NK 12/16M	19	16	0.3	17	7300	8900	26000	16.3
12	RNA 499M	—	20	11	0.3	18	5200	5000	26000	13.6
14	RNA 4900M	—	22	13	0.3	20	7300	8000	24000	16.5
14	—	NK 14/16M	22	16	0.3	20	9400	10900	24000	21
14	—	NK 14/20M	22	20	0.3	20	11800	14800	24000	26.5
15	—	NK 15/16M	23	16	0.3	21	9900	11900	23000	22.5
15	—	NK 15/20M	23	20	0.3	21	12400	16100	23000	28
16	RNA 4901M	—	24	13	0.3	22	7700	8800	23000	18.1
16	—	NK 16/16M	24	16	0.3	22	9800	12000	23000	23
16	—	NK 16/20M	24	20	0.3	22	12400	16300	23000	29
17	—	NK 17/16M	25	16	0.3	23	10200	13000	22000	24.5
17	—	NK 17/20M	25	20	0.3	23	13000	17600	22000	30.5
18	—	NK 18/16M	26	16	0.3	24	10700	14000	21000	25.5
18	—	NK 18/20M	26	20	0.3	24	13600	18800	21000	32
19	—	NK 19/16M	27	16	0.3	25	11200	14900	21000	27
19	—	NK 19/20M	27	20	0.3	25	14100	20200	21000	34
20	RNA 4902M	—	28	13	0.3	26	8700	11000	20000	21.5
22	RNA 4903M	—	30	13	0.3	28	9400	12400	18000	23.5
25	RNA 4904M	—	37	17	0.3	35	16800	20000	16000	55.5
30	RNA 4905M	—	42	17	0.3	40	18900	24500	13000	64

1) Smallest permissible chamfer dimension.

2) Suitable for oil lubrication. In case of grease lubrication, up to 60% of this value.

\*NK type of 10mm or less inscribed circle diameter (Fw) is without oil holes.

Oil hole on these small sizes is also available on request.



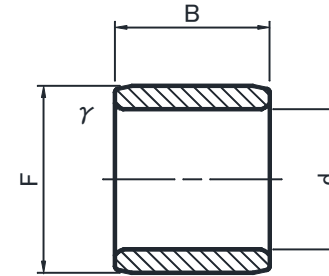
JNS CO., LTD.  
NOSE SEIKO CO., LTD.

# MACHINED TYPE INNER RINGS STAINLESS STEEL



IR..M TYPE

**STAINLESS  
STEEL !!**



IR...M

Shaft Diameter (mm)	Designation	Dimensions (mm)			Standard mounting dimensions (mm)		Weight (g)	Usable bearing designation	
		F	B	1) $\gamma$ s min	MIN	MAX		RNA 49	NK
d	IR				da				
5	IR 5812M	8	12	0.3	7	7.7	3	—	NK 8/12M
5	IR 5816M	8	16	0.3	7	7.7	4	—	NK 8/16M
6	IR 6810M	8	10	0.15	7.2	7.7	1.7	RNA 496M	—
6	IR 6912M	9	12	0.3	8	8.7	3.2	—	NK 9/12M
6	IR 6916M	9	16	0.3	8	8.7	4.3	—	NK 9/16M
7	IR 7910M	9	10	0.15	8.2	8.7	1.9	RNA 497M	—
7	IR 71012M	10	12	0.3	9	9.7	3.6	—	NK 10/12M
7	IR 71016M	10	16	0.3	9	9.7	5	—	NK 10/16M
8	IR 81011M	10	11	0.15	9.2	9.7	2.4	RNA 498M	—
9	IR 91211M	12	11	0.3	11	11.5	3.1	RNA 499M	—
9	IR 91212M	12	12	0.3	11	11.5	4.5	—	NK 12/12M
9	IR 91216M	12	16	0.3	11	11.5	6	—	NK 12/16M
10	IR 101413M	14	13	0.3	12	13	7.5	RNA 4900M	—
10	IR 101416M	14	16	0.3	12	13	9	—	NK 14/16M
10	IR 101420M	14	20	0.3	12	13	11.5	—	NK 14/20M
12	IR 121613M	16	13	0.3	14	15	8.5	RNA 4901M	—
12	IR 121616M	16	16	0.3	14	15	10.5	—	NK 16/16M
12	IR 121620M	16	20	0.3	14	15	13.5	—	NK 16/20M
15	IR 151916M	19	16	0.3	17	18	12.5	—	NK 19/16M
15	IR 151920M	19	20	0.3	17	18	16	—	NK 19/20M
15	IR 152013M	20	13	0.3	17	19	13.5	RNA 4902M	—
17	IR 172213M	22	13	0.3	19	21	15.5	RNA 4903M	—
20	IR 202517M	25	17	0.3	22	24	23	RNA 4904M	—
25	IR 253017M	30	17	0.3	27	29	28.5	RNA 4905M	—

1) Smallest permissible chamfer dimension.

